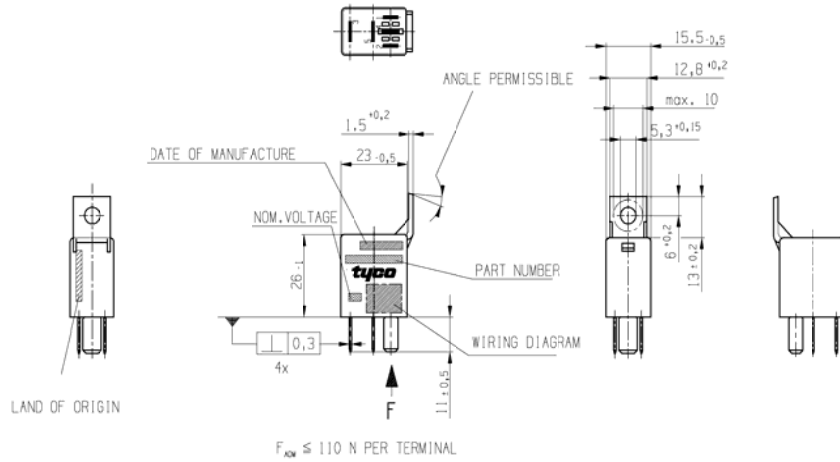


DEGREE OF PROTECTION ACC. TO IEC529 : DIN 40 050 Teil 9

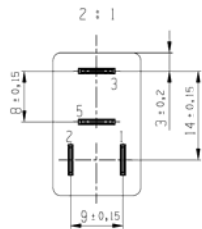
TERMINALS IP 20
 HOUSING IP 5K4
 IN CONNECTION WITH A SOCKET HOUSING
 MOUNTING POSITION: TERMINALS SHALL POINT DOWNWARDS
 FOR ALL OTHER POSITIONS PROTECTION GROUP IP 20 IS VALID

17 OTHER - Drawing

Page 7 of 8



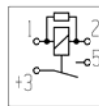
TERMINAL CONFIGURATION



BLADE TERMINALS

- 1,2 : BLADE TERMINAL ISO 8092 4,3-0,8-CuZn, SILVER PLATED
 - 5 : BLADE TERMINAL ISO 8092 6,3-0,8-Cu, SILVER PLATED
 - 3 : BLADE TERMINAL ISO 8092 6,3-0,8-5t3 LG BK, TIN PLATED
- CUT EDGES (TERMINAL 1,2,4,5) WITHOUT SILVER PLATING ALLOWED

WIRING DIAGRAM



PART	MATERIAL	COLOUR
HOUSING	PBT 30 ± 10 [%] GF	GREY
BASE PLATE	PBT 30 ± 10 [%] GF	GREY

OBSOLETE BOSCH P/N	TYCO P/N	REV	PART NUMBER	CUSTOMER P/N	CODE NO
0 332 017 302	0-1904030-1		V23274-D1601-X002		
	1-1904030-1				
	2-1904030-1				

PROPRIETARY
 THE REPRODUCTION, TRANSMISSION OR USE OF THIS DOCUMENT OR ITS CONTENTS IS NOT PERMITTED WITHOUT EXPRESS WRITTEN AUTHORITY. OFFENDERS WILL BE LIABLE FOR ALL DAMAGES. ALL RIGHTS, INCLUDING RIGHTS CREATED BY REGISTERED PATENT(S) GRANTED FOR A UTILITY MODEL OR DESIGN, ARE RESERVED.

CHANGES TO THIS DRAWING MUST BE DONE ONLY IN CAD

PAPER SIZE: A2

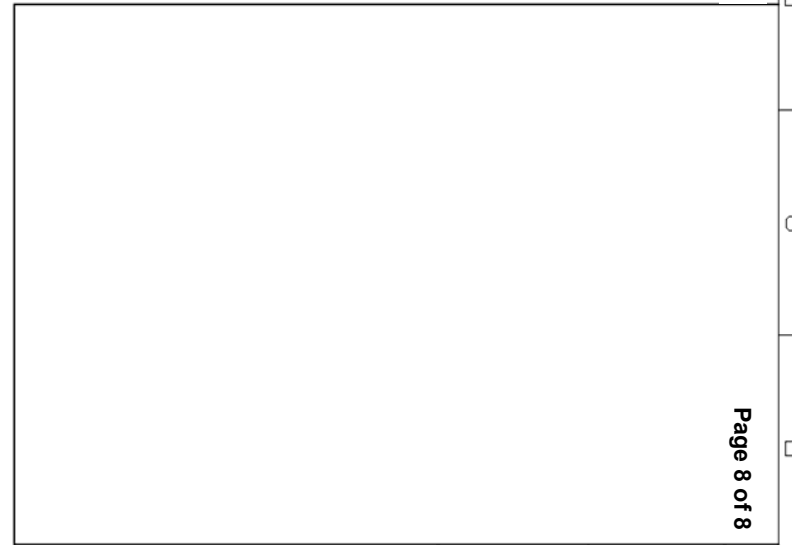
APPLICABLE SPEC.: FINISH

DIMENSIONS APPLY PLATING
 SCALE: 1:1; 2:1 METRIC Co.23g
 MATERIAL:

DATE	NAME	PART NAME
OWN, 2006-05-25	P. TORRES	MICRO RELAY 2 NORMALY OPEN 12V
APP.		
REV.		
LOCATION	AMB PE EVORA	
tyco Electronics		PART NO. V23274-D1601-X002-CD
J1	---	2006-10-02
J8	---	2006-07-26
REV./CHANGE ORDER	DATE	APP.

100
90
80
70
60
50
40
30
20
10
0

Nominal voltage (load and excitation circuit)	12 V
Permissible operating voltage	8...16 V
Permissible ambient temperature I)	-40...100 ° C
Response voltage (at 20 ° C)	≤ 8 V
Release voltage (at 20 ° C)	≥ 1.5 V
Response time	≤ 10 ms
Release time	≤ 10 ms
Contact material	Silver tin oxide
Voltage drop at NO contact when new	≤ 50 mV at 10 A
Voltage drop at NO contact after specified number of switching operations	≤ 100 mV at 10 A
Voltage drop at NC contact when new	≤ 50 mV at 10 A
Voltage drop at NC contact after specified number of switching operations	≤ 200 mV at 10 A
Degree of protection for housing and terminals in general	IP 20
Degree of protection for socket housing with blade terminals pointing downwards	IP 5K4
I) Up to 125 ° C on request.	
Electrical Endurance	
Resistive Load 20A on NO	≥ 300.000 cycles



PROPRIETARY THE REPRODUCTION, TRANSMISSION OR USE OF THIS DOCUMENT OR IT'S CONTENTS IS NOT PERMITTED WITHOUT EXPRESSED WRITTEN AUTHORITY. OFFENDERS WILL BE LIABLE FOR ALL DAMAGES. ALL RIGHTS, INCLUDING RIGHTS CREATED BY REGISTERED PATENT(S) GRANTED FOR A UTILITY MODEL OR DESIGN, ARE RESERVED.		CHANGES TO THIS DRAWING MUST BE DONE ONLY IN CAD	PAPER SIZE A3
APPLICABLE SPEC.:		FINISH	
		DIMENSIONS APPLY	PLATING
		TOLERANCE UNLESS SPECIFIED OTHERWISE	SCALE
		DIMENSIONS IN MM	WEIGHT Ca.23g
		MATERIAL	
	DATE DWN. 2006-05-25 APP. REV.	NAME P. Torgas	PART NAME MICRO RELAY 2 NORMALLY OPEN 12V
		LOCATION AMR PE EVORA	PART NO. V23274-D1601-X002-CD
A1 --- 2006-10-02 --- A --- 2006-07-26 ---			SHIT. 2 OF 2
REV. CHANGE ORDER	DATE	APP.	